

Product data sheet

Characteristics

MGA36450

Circuit Breaker, PowerPact M, I-Line, electronic trip, 450A, 3 pole, 18 kA, 600 VAC, ABC phasing



Price*: 8168.00 USD



Commercial status

This Product is Obsolete :

This Product is Obsolete

Main

Product or component type	Circuit breaker
---------------------------	-----------------

Complementary

Line Rated Current	450 A
Poles description	3P
Breaking capacity code	G
Magnetic tripping current	900...4500 A
Electrical connection	I-Line connection line Lugs load
Terminal identifier	AL800M23K
Tightening torque	442.54 Lbf.In (50 N.m) 0.15...0.37 in ² (95...240 mm ²) (AWG 3/0...500 kcmil)
Height	12.86 In (326.6 mm)
Width	0.32 In (8.06 mm)
Depth	8.27 In (210 mm)
Continuous current rating	80 %

Ordering and shipping details

Category	01200-MG, MJ I-LINE BREAKER
Discount Schedule	DE2
GTIN	00785901496212
Nbr. of units in pkg.	1
Package weight(Lbs)	29.00 Lb(US) (13.154 kg)
Returnability	Yes
Country of origin	US

Packing Units

Unit Type of Package 1	PCE
Package 1 Height	10.00 In (25.4 cm)
Package 1 width	11.75 In (29.845 cm)
Package 1 Length	17.81 In (45.245 cm)

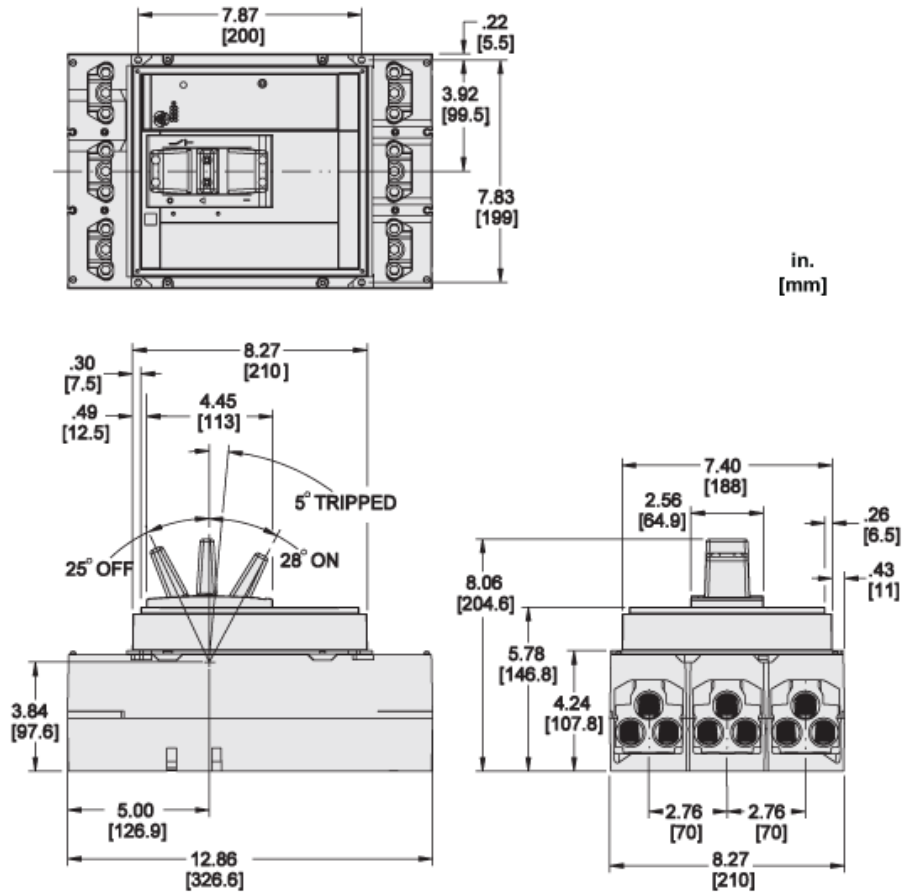
Offer Sustainability

Sustainable offer status	Green Premium product
California proposition 65	WARNING: This product can expose you to chemicals including: DIN-P, which is known to the State of California to cause cancer, and DID-P, which is known to the State of California to cause birth defects or other reproductive harm. For more information go to www.P65Warnings.ca.gov
REACH Regulation	REACH Declaration
EU RoHS Directive	Compliant EU RoHS Declaration
Mercury free	Yes
RoHS exemption information	Yes
China RoHS Regulation	China RoHS Declaration
Environmental Disclosure	Product Environmental Profile
Circularity Profile	End Of Life Information
PVC free	Yes

Contractual warranty

Warranty	18 months
----------	-----------

Approximate Dimensions



in.
[mm]

Product Life Status : **End of commercialisation**

MGA36450 may be replaced by any of the following products:



MGA36800E10

Circuit breaker, PowerPact M, I-Line, adj trip, 300A-800A, 3 pole, 18 kA, 600 V, kirk keylock, ABC phasing

Qty 1

Substitution date: |